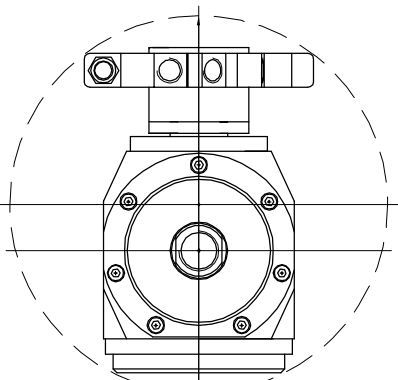


FORO DI PASSAGGIO MINIMO IN ASSE $\varnothing 238$
MIN. CENTER LINE THROUGH HOLE $\varnothing 238$



FORO DI PASSAGGIO MINIMO MANUALE $\varnothing 198$
MIN. MANUAL THROUGH HOLE $\varnothing 198$

TECHNICAL DATA - 200 BAR VERSION

OPERATING FLOW RANGE	8 - 200 L/min
OPERATING PRESSURE RANGE	8 - 200 bar
MAX OPERATING TEMPERATURE	90 °C
WASHING CYCLE TIME	2'-12'
WATER INLET	1/2" G
NOZZLES POSITIONS	2 - 4
NOZZLES THREAD	1/4"NPT
O-RING	NBR - EPDM
LUBRICANT	SILICON OIL VISCOSITY 20-100-350-5000
MATERIAL	
INOX AISI 316	WEIGHT 10.5KG
ALUMINIUM	WEIGHT 5.5KG

TECHNICAL DATA - 400 BAR VERSION

OPERATING FLOW RANGE	8 - 60 L/min
OPERATING PRESSURE RANGE	8 - 400 bar
MAX OPERATING TEMPERATURE	90 °C
WASHING CYCLE TIME	2'-12'
WATER INLET	1/2" G
NOZZLES POSITIONS	2 - 4
NOZZLES THREAD	1/4"NPT
O-RING	NBR - EPDM
LUBRICANT	SILICON OIL VISCOSITY 20-100-350-5000
MATERIAL	
INOX AISI 316	WEIGHT 10.5KG
ALUMINIUM	WEIGHT 5.5KG

RUGOSITA' (UNI 4600)	MODIFICA	1	2	3	4	5
	FOGLIO	XXXX				
GREZZO	DATA	XX.XX.XX				
	TOLLERANZE GENERALI classe m UNI-EN 22768/1	0 ÷ 6	6 ÷ 30	30 ÷ 120	120 ÷ 400	400 ÷ 1000
SGROSS.	± 0.1	± 0.2	± 0.3	± 0.5	± 0.8	± 1.2
	NOTE:	VERSIONE 09				
FINITURA	MATERIALE:					
RETTIFICA	DESCRIZIONE: FV020 DISEGNO DI APPLICAZIONE					
	FV020 APPLICATION DRAWING					
CODICE: FV020						
SCALA 1:2						
A3						
0						



CLEANING HEADS

MONTECCHIO E. (RE) - ITALY

DESIGN.: CR1 CONTR.: DM

DATA: 08.09.09 MOD.